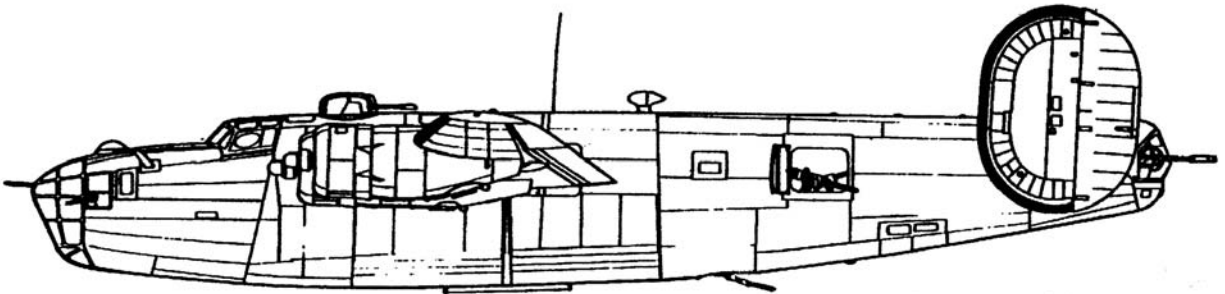


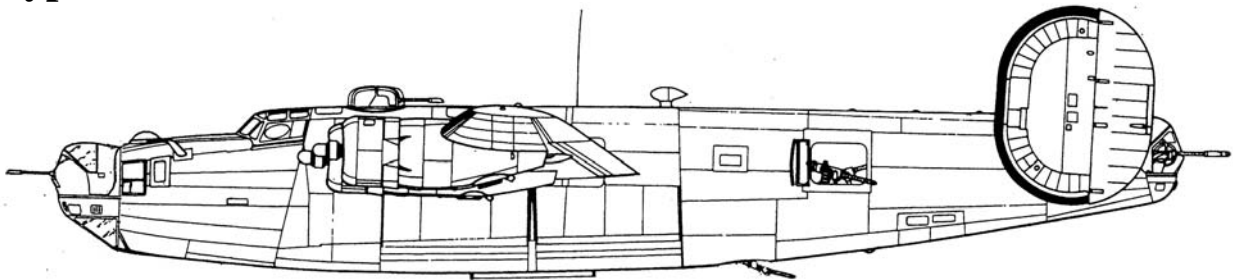
B-24D

GLAZED NOSE AND NOSE TURRET VARIANTS

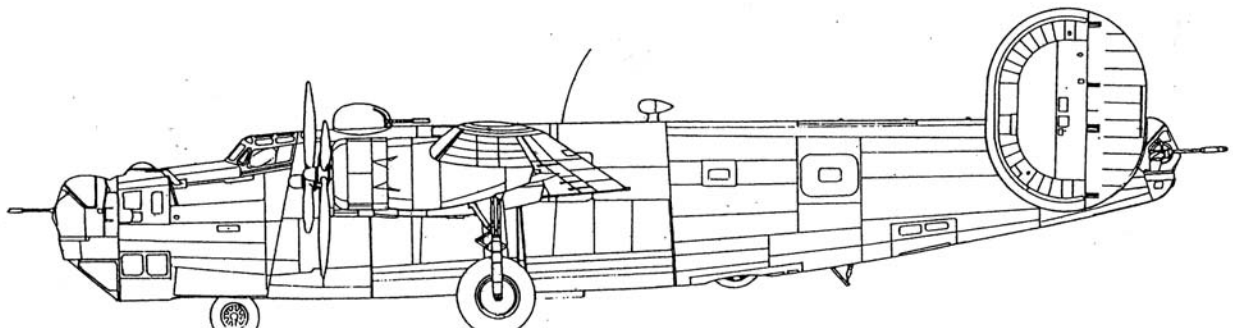
Type 1

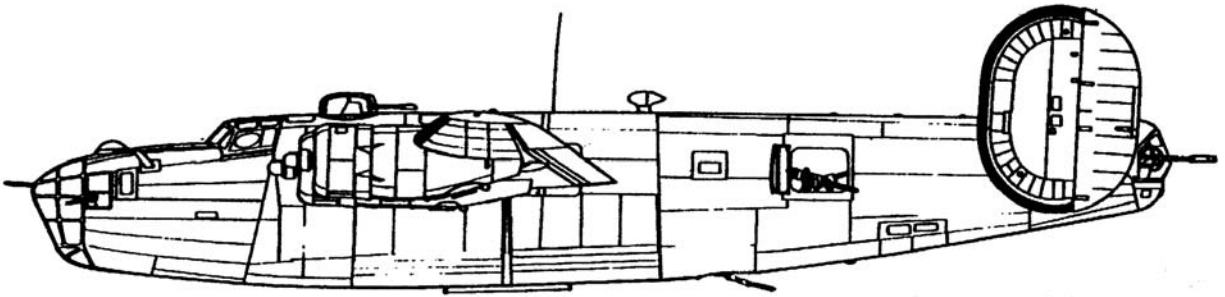


Type 2

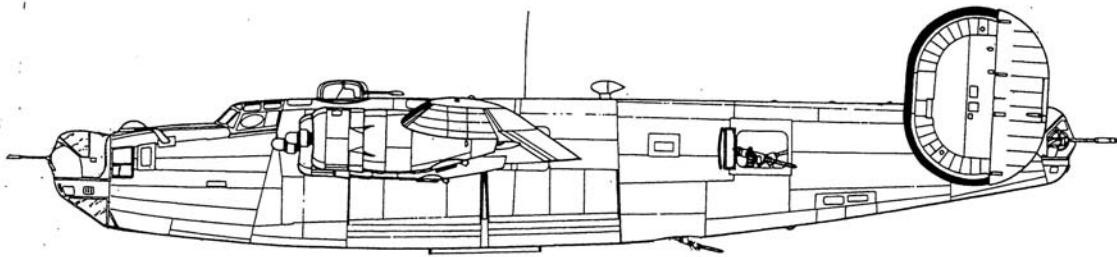


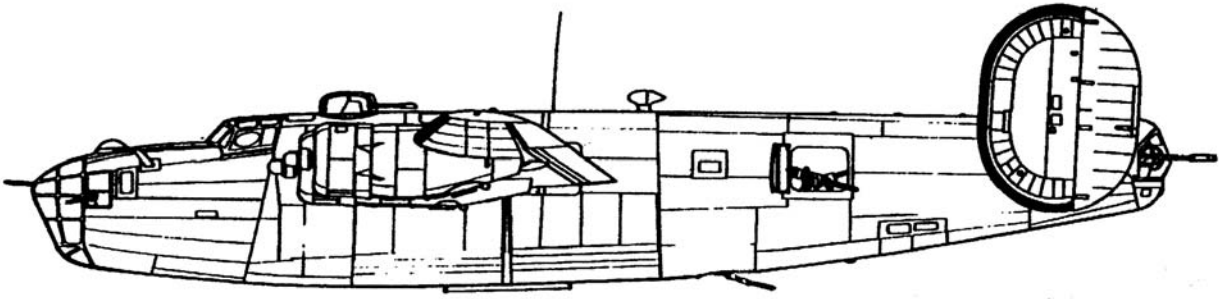
Type 3





B-24D
GLAZED NOSE AND
HAWAIIAN NOSE TURRET VARIATION





TYPE 1 – B-24D WITH ALL-GLAZED NOSE

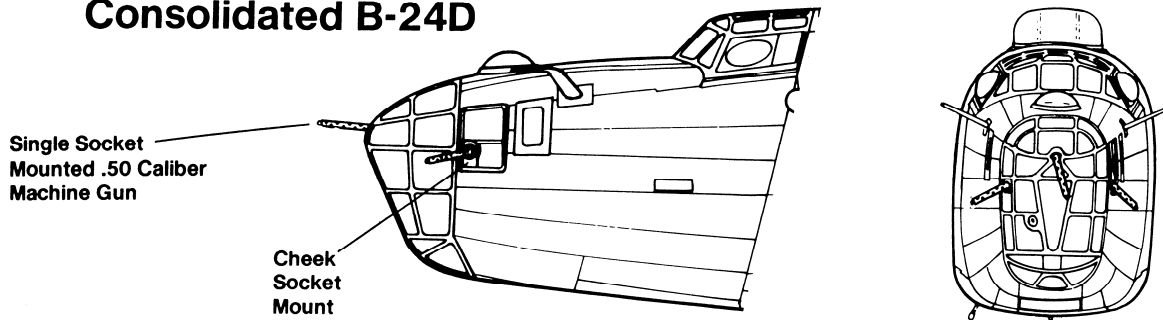
Type 1 as defined for this book includes all B-24s with the fully-glazed nose. In combat this was used only on D models of the B-24 and a few LB-30s present during the very early days of WWII. Domestically the glazed nose was used on B-24A, B, C, D, E and early G models. Modified Ds and all later models carried a nose turret. None of the D models used in the European and Caribbean Theatres carried a nose turret except for some Anti-Submarine units.

B-24Ds were manufactured by the Consolidated-Vultee Aircraft Corporation (Convair) (earlier Consolidated Aircraft Corporation (CAC)) in their San Diego, California, and Fort Worth, Texas, plants. There were only three Fort Worth (B-24D-CF) aircraft in the 380th. All the others were San Diego (B-24D-CO). Two of the CF aircraft were RCM (ferret) specialists on temporary duty with the 380th.

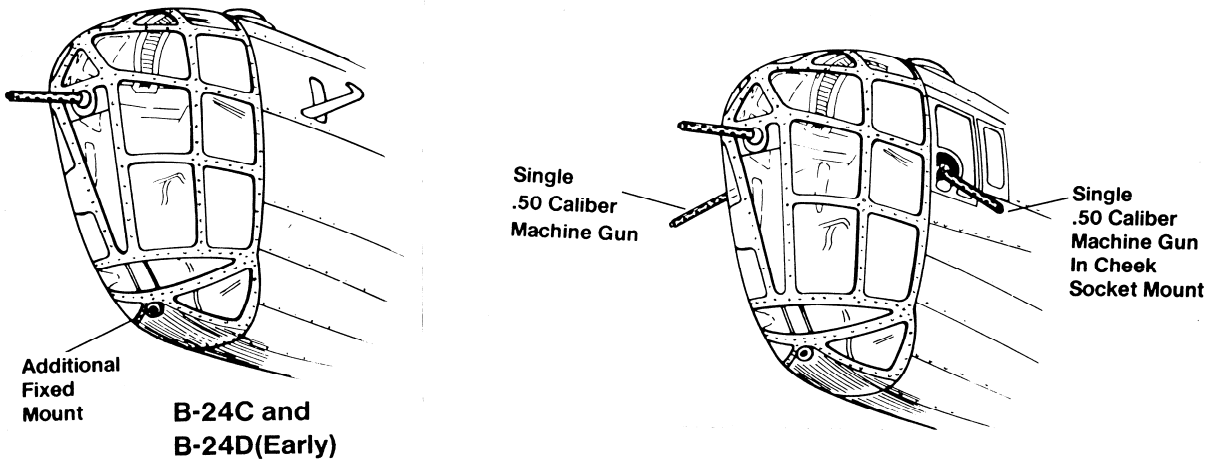
All of the initial deployment aircraft came overseas with glazed noses, i.e., Type 1. Seven were later modified by the Townsville Air Depot by adding turrets (Consolidated A6As) to become Type 2 while still in service with the 380th. Several others were also so modified after their period of service with the 380th. The others remained as Type 1 throughout their service until lost or salvaged.

All 380th aircraft were modified in theatre to remove the ball turret because of the excess weight involved. It was replaced by a pair of machine guns mounted on a Scarff ring in the same location.

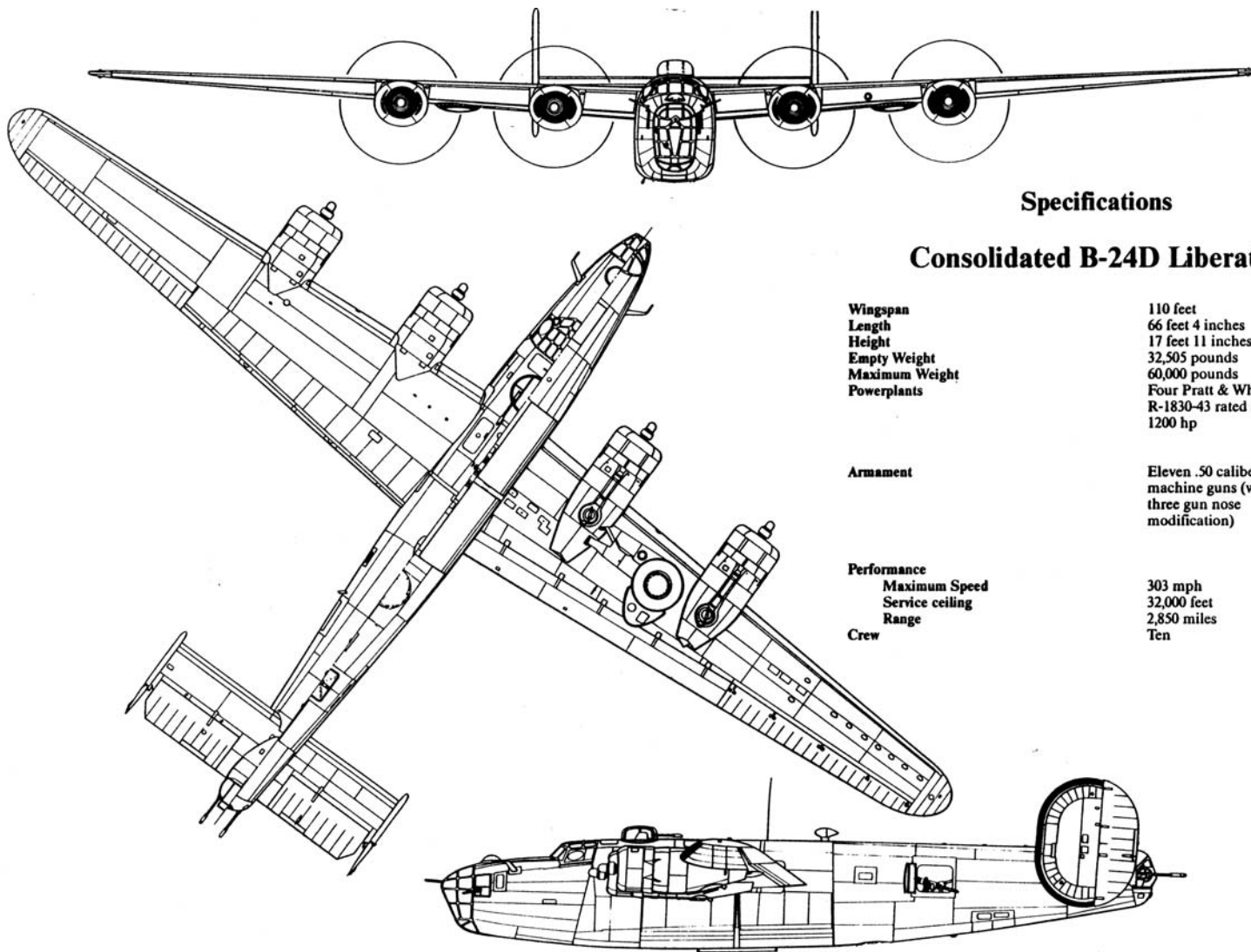
Consolidated B-24D



Nose Armament



Source: *B-24 Liberator in Action*, Squadron/Signal Publications, Inc., Aircraft Number 80, 1987, pp. 16, 23 (modified).



Specifications

Consolidated B-24D Liberator

Wingspan	110 feet
Length	66 feet 4 inches
Height	17 feet 11 inches
Empty Weight	32,505 pounds
Maximum Weight	60,000 pounds
Powerplants	Four Pratt & Whitney R-1830-43 rated at 1200 hp
Armament	Eleven .50 caliber machine guns (with three gun nose modification)
Performance	
Maximum Speed	303 mph
Service ceiling	32,000 feet
Range	2,850 miles
Crew	Ten

Source: *B-24 Liberator in Action*, Squadron/Signal Publications, Inc., Aircraft Number 80, 1987, pp. 16, 23 (modified).

THESE FIRST TWO AIRCRAFT WERE REPLACEMENT AIRCRAFT, WHICH WERE OLDER THAN THE 380TH'S OWN ORIGINAL COMPLEMENT. THEY WERE PREVIOUSLY FLOWN BY OTHER GROUPS IN SOUTHWEST PACIFIC AREA.

001	41-24248	ALLEY OOP
002	42-40351	BIG CHIEF COCKEYE

**STATISTICAL SUMMARY
FATES OF OUR AIRCRAFT – AUSTRALIAN AND NEW GUINEA CAMPAIGN
380TH BOMB GROUP (H)**

OLDER REPLACEMENT PLANES

#	AIRCRAFT	R	C	CA	MA	AM	ASM	A	AS	WWS	RAAF	OG	PI	NT	RUS
1	41-24248 ALLEY OOP							✓ 8/21/43						N	
2	42-40351 BIG CHIEF COCKEYE				✓ 7/5/44									✓	
	TOTALS				1			1						1	

Legend:

- R Destruction As Result of Enemy Air Raid
- C Loss of Aircraft in Enemy Territory Due Directly to Enemy Action
- CA Accident and/or Salvage As Result of Enemy Combat Damage (In Friendly Territory)
- MA Loss While on Mission While in Enemy Territory but Direct Enemy Action Not Involved
- A Accident in Friendly Territory Causing Complete Destruction of Aircraft – Not Combat Mission Related
- AM Same as A but Involved in Combat Mission
- AS Accident in Friendly Territory Resulting in Salvage of the Aircraft – Not Combat Mission Related
- ASM Same as AS but Involved in Combat Mission
- WWS Salvage of Aircraft as War Weary
- RAA Transfer of Aircraft to Royal Australian Air Force
- F
- OG Transfer of Aircraft to Other Groups
- PI Transfer to Philippines Islands for Continuation of War Service There
- NT Whether Nose Turret Installed
- RUS Returned to U.S. at End of War

**THE NEXT 38 AIRCRAFT WERE THE ORIGINAL COMPLEMENT FLOWN
OVERSEAS BY 380TH BOMB GROUP PERSONNEL**

Listed by Serial Number:

003	42-40369	SHADY LADY
004	42-40387	BEAUTIFUL BETSY
005	42-40393	BLACK MAGIC
006	42-40485	“FYRTLE MYRTLE”
007	42-40486	DIS-GUSTED
008	42-40489	MISS GIVING
009	42-40491	POOCHIE
010	42-40492	MISS MARY
011	42-40493	LITTLE EVE
012	42-40495	DAUNTLESS “DOTTIE”
013	42-40496	“JUAREZ WHISTLE”
014	42-40497	OLE 8 BALL / HOMMA HOMMA KID
015	42-40500	CARELESS
016	42-40502	PEGGY / HELL’S ANGEL
017	42-40504	GUS’S BUS
018	42-40505	MR FIVE BY FIVE
019	42-40507	ESMERALDA II
020	42-40508	80 DAYS MAJOR
021	42-40509	NOTHING SACRED
022	42-40510	JUNGLE QUEEN II
023	42-40511	“LADY JEANNE”
024	42-40512	SHE ‘ASTA
025	42-40513	SNAFU
026	42-40514	LUCKY
027	42-40515	“SOOPER DROOPER”
028	42-40516	“ROBBIE L”
029	42-40517	KATHY
030	42-40518	PUG / GOLDEN GATOR
031	42-40519	(UNKNOWN)
032	42-40521	THE GOLDEN GOOSE
033	42-40522	DELIVERER
034	42-40524	THE RED ASS
035	42-40525	TOUGHY
036	42-40526	PRINCE VALIANT / PUG (II)
037	42-40527	THE LEILA BELLE
038	42-40528	DAUNTLESS DABIE
039	42-40532	“LITTLE JOE”
040	42-40534	THE ONE

Listed by Name:

031	42-40519	(UNKNOWN)
020	42-40508	80 DAYS MAJOR
004	42-40387	BEAUTIFUL BETSY
005	42-40393	BLACK MAGIC
015	42-40500	CARELESS
038	42-40528	DAUNTLESS DABIE
012	42-40495	DAUNTLESS "DOTTIE"
033	42-40522	DELIVERER
007	42-40486	DIS-GUSTED
019	42-40507	ESMERALDA II
006	42-40485	"FYRTLE MYRTLE"
017	42-40504	GUS'S BUS
013	42-40496	"JUAREZ WHISTLE"
022	42-40510	JUNGLE QUEEN II
029	42-40517	KATHY
023	42-40511	"LADY JEANNE"
011	42-40493	LITTLE EVE
039	42-40532	"LITTLE JOE"
026	42-40514	LUCKY
008	42-40489	MISS GIVING
010	42-40492	MISS MARY
018	42-40505	MR FIVE BY FIVE
021	42-40509	NOTHING SACRED
014	42-40497	OLE 8 BALL / HOMMA HOMMA KID
016	42-40502	PEGGY / HELL'S ANGEL
009	42-40491	POOCHIE
036	42-40526	PRINCE VALIANT / PUG (II)
030	42-40518	PUG / GOLDEN GATOR
028	42-40516	"ROBBIE L"
003	42-40369	SHADY LADY
024	42-40512	SHE 'ASTA
025	42-40513	SNAFU
027	42-40515	"SOOPER DROOPER"
032	42-40521	THE GOLDEN GOOSE
037	42-40527	THE LEILA BELLE
040	42-40534	THE ONE
034	42-40524	THE RED ASS
035	42-40525	TOUGHY

**STATISTICAL SUMMARY
FATES OF OUR AIRCRAFT – EAST INDIAN AND NEW GUINEA CAMPAIGN
380TH BOMB GROUP (H)**

ORIGINAL DEPLOYMENT PLANES

#	AIRCRAFT	R	C	CA	MA	AM	ASM	A	AS	WWS	RAAF	OG	PI	NT	RUS
3	42-40369 SHADY LADY						✓ 8/14/43							✓	
4	42-40387 BEAUTIFUL BETSY							✓ 2/26/45						N	
5	42-40393 BLACK MAGIC	✓ 6/30/43												N	
6	42-40485 “FYRTLE MYRTLE”		✓ 10/26/43											✓	
7	42-40486 DIS-GUSTED	✓ 6/30/43												N	
8	42-40489 MISS GIVING										✓ 12/13/43			N	
9	42-40491 POOCHIE							✓ 7/31/43						N	
10	42-40492 MISS MARY		✓ 7/10/43											N	
11	42-40493 LITTLE EVE											✓ 8/1/43		N	
12	42-40495 DAUNTLESS “DOTTIE”												✓ 3/45	N	
13	42-40496 “JUAREZ WHISTLE”								✓ 2/1/44					✓ 7/43	
14	42-40497 HOMMA HOMMA KID	✓ 7/6/43												N	
TOTALS THIS PAGE		3	2				1	2	1		1	1	1	3	
BROUGHT FORWARD															
TOTALS, OVERALL		3	2				1	2	1		1	1	1	3	

**STATISTICAL SUMMARY
FATES OF OUR AIRCRAFT – EAST INDIAN AND NEW GUINEA CAMPAIGN
380TH BOMB GROUP (H)**

ORIGINAL DEPLOYMENT PLANES (continued)

#	AIRCRAFT	R	C	CA	MA	AM	ASM	A	AS	WWS	RAAF	OG	PI	NT	RUS
15	42-40500 CARELESS		✓ 6/11/43											N	
16	42-40502 HELL'S ANGEL								✓ 6/30/43					N	
17	42-40504 GUS'S BUS								✓ 10/20/43					N	
18	42-40505 MR FIVE BY FIVE											✓ 12/11/43		N	
19	42-40507 ESMERALDA II		✓ 7/10/43											N	
20	42-40508 80 DAYS MAJOR								✓ 9/23/43					N	
21	42-40509 NOTHING SACRED			✓ 9/21/43										N	
22	42-40510 JUNGLE QUEEN II									✓ 12/13/43				✓	
23	42-40511 "LADY JEANNE"									✓ 12/13/43				N	
24	42-40512 SHE'ASTA										✓ 12/13/43			N	
25	42-40513 SNAFU								✓ 9/15/43					N	
26	42-40514 LUCKY										✓ 10/18/43			N	
TOTALS THIS PAGE			2	1					4	2	2	1		1	
BROUGHT FORWARD		3	2				1	2	1		1	1	1	3	
TOTALS, OVERALL		3	4	1			1	2	5	2	3	2	1	4	

**STATISTICAL SUMMARY
FATES OF OUR AIRCRAFT – EAST INDIAN AND NEW GUINEA CAMPAIGN
380TH BOMB GROUP (H)**

ORIGINAL DEPLOYMENT PLANES (continued)

#	AIRCRAFT	R	C	CA	MA	AM	ASM	A	AS	WWS	RAAF	OG	PI	NT	RUS
27	42-40515 "SOOPER DROOPER"											✓ 12/13/43		N	
28	42-40516 "ROBBIE L"								✓ 6/23/43					N	
29	42-40517 KATHY			✓ 6/15/43										N	
30	42-40518 PUB / GOLDEN GATOR		✓ 10/26/43											N	
31	42-40519 (UNKNOWN)							✓ 5/15/43						N	
32	42-40521 THE GOLDEN GOOSE									✓ 12/1/43				N	
33	42-40522 DELIVERER										✓ 12/13/43			N	
34	42-40524 THE RED ASS		✓ 9/11/43											N	
35	42-40525 TOUGHY											✓ 12/5/43		N	
36	42-40526 PRINCE VALIANT												✓ 3/45	✓	
37	42-40527 THE LEILA BELLE		✓ 6/11/43											N	
38	42-40528 DAUNTESS DABIE			✓ 6/15/43										N	
TOTALS THIS PAGE			3	2				1	1	1	1	2	1	1	
BROUGHT FORWARD		3	4	1			1	2	5	2	3	2	1	4	
TOTALS, OVERALL		3	7	3			1	3	6	3	4	4	2	5	

**STATISTICAL SUMMARY
FATES OF OUR AIRCRAFT – EAST INDIAN AND NEW GUINEA CAMPAIGN
380TH BOMB GROUP (H)**

ORIGINAL DEPLOYMENT PLANES (continued)

#	AIRCRAFT	R	C	CA	MA	AM	ASM	A	AS	WWS	RAAF	OG	PI	NT	RUS
39	42-40532 "LITTLE JOE"		✓ 9/21/43											✓ 5/43	
40	42-40534 THE ONE											✓ 101/43		✓ 5/43	
TOTALS THIS PAGE			1									1		2	
BROUGHT FORWARD		3	7	3			1	3	6	3	4	4	2	5	
TOTALS, OVERALL		3	8	3			1	3	6	3	4	5	2	7	

Legend:

- R Destruction As Result of Enemy Air Raid
- C Loss of Aircraft in Enemy Territory Due Directly to Enemy Action
- CA Accident and/or Salvage As Result of Enemy Combat Damage (In Friendly Territory)
- MA Loss While on Mission While in Enemy Territory but Direct Enemy Action Not Involved
- A Accident in Friendly Territory Causing Complete Destruction of Aircraft – Not Combat Mission Related
- AM Same as A but Involved in Combat Mission
- AS Accident in Friendly Territory Resulting in Salvage of the Aircraft – Not Combat Mission Related
- ASM Same as AS but Involved in Combat Mission
- WWS Salvage of Aircraft as War Weary
- RAA Transfer of Aircraft to Royal Australian Air Force
- F
- OG Transfer of Aircraft to Other Groups
- PI Transfer to Philippines Islands for Continuation of War Service There
- NT Whether Nose Turret Installed (Applies Only to Initial Deployment Aircraft) During 1943
- RUS Returned to U.S. at End of War

**PLANES KNOWN TO BE AT FENTON
FROM MISSION REPORTS**

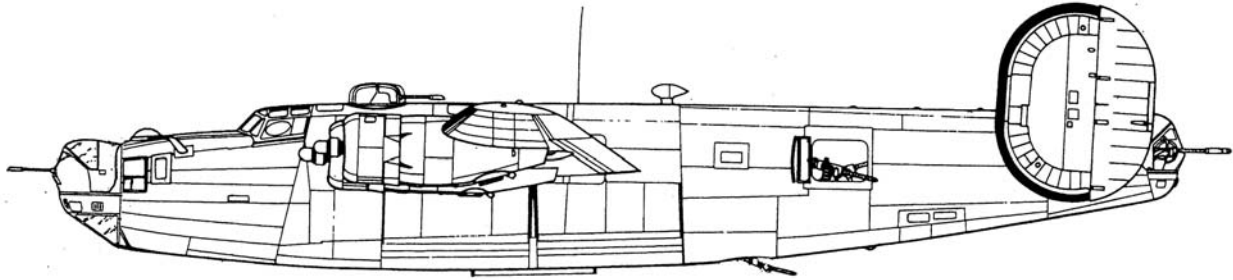
No.	Serial No.	FENTON MISSION # AND DATE								
			6/03	6/10	6/11	6/15	6/21	6/23	6/27	6/29
		26	29	34	35	37	39	42	43	44
003	42-40369 SHADY LADY			✓				✓		
004	42-40387 BEAUTIFUL BETSY	✓	✓		✓		✓	✓	✓	
005	42-40393 BLACK MAGIC		✓	Air Raid						
006	42-40485 "FYRTL MYRTLE"	Nose Turret Installation								
007	42-40486 DIS-GUSTED		✓	Air Raid						
008	42-40489 MISS GIVING				✓	✓	✓	✓		✓
009	42-40491 POOCHIE					✓	✓	✓		
010	42-40492 MISS MARY				✓			✓	✓	✓
011	42-40493 LITTLE EVE				✓		✓			
012	42-40495 DAUNTLESS "DOTTIE"				✓	✓		✓		
013	42-40496 "JUAREZ WHISTLE"				✓	✓	✓	✓		
014	42-40497 HOMMA HOMMA KID				✓			✓	✓	✓
015	42-40500 CARELESS				✓	Lost				
019	42-40507 ESMERALDA II				✓	✓	✓	✓	✓	
022	42-40510 JUNGLE QUEEN II				✓			✓	✓	
023	42-40511 "LADY JEANNE"				✓	✓	✓	✓		
024	42-40512 SHE' ASTA				✓					
025	42-40513 SNAFU				✓	✓	✓	✓	✓	
028	42-40516 "ROBBIE L"				✓	✓	✓	✓		

No.	Serial No.	FENTON MISSION # AND DATE								
			6/03	6/10	6/11	6/15	6/21	6/23	6/27	6/29
		26	29	34	35	37	39	42	43	44
031	42-40519 UNKNOWN	Lost Enroute								
032	42-40521 THE GOLDEN GOOSE				✓	✓	✓	✓		✓
034	42-40524 THE RED ASS				✓					
039	42-40532 "LITTLE JOE"	Nose Turret Installation								
040	42-40534 THE ONE	Nose Turret Installation								

**PROBABLE AIRCRAFT
NEW GUINEA DEPLOYMENT I
MAY – JUNE 1943**

No.	Serial No.	Nose Art	Notes
016	42-40502	HELL'S ANGEL	Take-off crash, 06/03/1943
017	42-40504	GUS'S BUS	
018	42-40505	MR FIVE BY FIVE	
020	42-40508	80 DAYS MAJOR	
021	42-40509	NOTHING SACRED	
026	42-40514	LUCKY	
027	42-40515	"SOOPER DROOPER"	
029	42-40517	KATHY	Mid-air collision, 06/15/1943
030	42-40418	PUG	
033	42-40522	DELIVERER	
035	42-40525	TOUGHY	
036	42-40526	PRINCE VALIANT	
037	42-40527	THE LEILA BELLE	Shot down, 06/11/1943
038	42-40528	DAUNTLESS DABIE	Mid-air collision, 06/15/1943

**D MODEL REPLACEMENT AIRCRAFT
NEWER THAN THE DEPLOYMENT AIRCRAFT, I.E.,
WITH SERIAL NUMBERS HIGHER THAN ORIGINAL DEPLOYMENT
AIRCRAFT**



**TYPE 2 – A6A CONSOLIDATED TURRET ADDED TO INCREASE
AIRCRAFT NOSE PROTECTION (HAWAIIAN AIR DEPOT TURRET
MODIFICATION)**

These are all Type 2 B-24Ds which were modified to carry a nose turret of the so-called Hawaiian Design but carried out at many locations in the Pacific Theatre. Sometimes called B-24D1. All turret replacement work for the 380th was carried out in Townsville, Queensland, Australia.

Except for ALLEY OOP, the first replacement aircraft, all replacement D aircraft except for the 17 Type 3s (see below) used the Townsville (Hawaiian) type nose turret installation.

A very good example of this is the following picture of JE REVIENS, B-24D-155-CO, 42-72808 of the 529th Squadron.



JE REVIENS, B-24D-155-CO, 42-72808 of the 529th Squadron

Source: Horton and Horton, King of the Heavies, p. 15.



JEZEBELLE, B-24D-170-CO, 42-72953

of the 529th Squadron.

This ship was damaged at Long Strip when someone turned too tightly trying to taxi out of the revetment.

Source: Best of the Southwest, p. 177.

**THE REMAINDER OF THE AIRCRAFT LISTED HERE ARE REPLACEMENT
AIRCRAFT SUPPLIED AS THE WAR PROCEEDED
(AUSTRALIA-NEW GUINEA CAMPAIGN)**

B-24D MODEL AIRCRAFT

Listed by Serial Number:

041	42-40683	(NONE)
042	42-40827	“OLD HICKORY”
043	42-40935	QUEER DEAR / QUEER DEER
044	42-40967	BLACK WIDOW
045	42-40979	“ROBBIE L” II
046	42-41071	“MORBID MOE” / “MORBID” MOE
047	42-41117	(NONE)
048	42-41120	SNAFU No. II
049	42-41125	GUS'S BUS II
050	42-41133	GYPSY
051	42-41182	(NONE)
052	42-41214	B.T.O.
053	42-41219	“SACK TIME”
054	42-41222	HELL'S BELLE
055	42-41225	SUNSHINE
056	42-41234	CAREER GIRL
057	42-41236	(NONE)
058	42-41237	JUGGLIN' JOSIE
059	42-41238	HOMMA HOMMA KID II
060	42-41239	BLACK VELVET
061	42-41241	(NONE)
062	42-41242	(NONE)
063	42-41243	FASCINATING BITCH / BATTLE WEARY
064	42-41247	ADELAIDE FEVER
065	42-41248	BEBE
066	42-41249	POISON IVY
067	42-63989	SATAN'S SECRETARY
068	42-63991	THE DUCHESS OF PADUCAH
069	42-64045	ATOM SMASHER
070	42-72775	QUACK WAC
071	42-72790	SANDRA KAY
072	42-72795	LIL D'-ICER
073	42-72799	MALE CALL
074	42-72801	BIG ASS BIRD II
075	42-72808	“JE REVIENS”
076	42-72942	PUSS & BOOTS
077	42-72951	BAIL-OUT BELLE
078*	42-72953	JEZEBELLE

* Aircraft 041-078 were replacement Ds, all with nose turrets.

Listed by Name:

064	42-41247	ADELAIDE FEVER
069	42-64045	ATOM SMASHER
052	42-41214	B.T.O.
077	42-72951	BAIL-OUT BELLE
063	42-41243	BATTLE WEARY
065	42-41248	BEBE
074	42-72801	BIG ASS BIRD II
060	42-41239	BLACK VELVET
044	42-40967	BLACK WIDOW
056	42-41234	CAREER GIRL
064	42-41243	FASCINATING BITCH
049	42-41125	GUS'S BUS II
050	42-41133	GYPSY
054	42-41222	HELL'S BELLE
059	42-41238	HOMMA HOMMA KID II
075	42-72808	"JE REVIENS"
078	42-72953	JEZEBELLE
058	42-41237	JUGGLIN' JOSIE
072	42-72795	LIL D'-ICER
073	42-72799	MALE CALL
046	42-41071	"MORBID MOE" / "MORBID" MOE
042	42-40827	"OLD HICKORY"
066	42-41249	POISON IVY
076	42-72942	PUSS & BOOTS
070	42-72775	QUACK WAC
043	42-40935	QUEER DEAR / QUEER DEER
045	42-40979	"ROBBIE L" II
053	42-41219	"SACK TIME"
071	42-72790	SANDRA KAY
067	42-63989	SATAN'S SECRETARY
048	42-41120	SNAFU No. II
055	42-41225	SUNSHINE
068	42-63991	THE DUCHESS OF PADUCAH
041	42-40683	(NONE)
047	42-41117	(NONE)
051	42-41182	(NONE)
057	42-41236	(NONE)
061	42-41241	(NONE)
062	42-41242	(NONE)

**STATISTICAL SUMMARY
FATES OF OUR AIRCRAFT – AUSTRALIAN AND NEW GUINEA CAMPAIGN
380TH BOMB GROUP (H)**

**D MODEL REPLACEMENT PLANES ONLY
INCLUDING OLDER AIRCRAFT**

#	AIRCRAFT	R	C	CA	MA	AM	ASM	A	AS	WWS	RAAF	OG	PI	NT	TOTAL ACFT
1	41-24248 ALLEY OOP							✓ 8/21/43						N	
2	42-40351 BIG CHIEF COCKEYE				✓ 7/5/44									✓	
41	42-40683 (NONE)					✓ 11/21/43								✓	
42	42-40827 “OLD HICKORY”								✓ 3/1/44					✓	
43	42-40935 QUEER DEER/DEAR									✓ 01/45				✓	
44	42-40967 BLACK WIDOW		✓ 11/21/43											✓	
45	42-40979 “ROBBIE L” II									✓ 8/8/44				✓	
46	42-41071 “MORBID MOE” / “MORBID” MOE												✓ 3/45	✓	
47	42-41117 (NONE)		✓ 5/8/44											✓	
48	42-41120 SNAFU No. II									✓ 02/45				✓	
49	42-41125 GUS’S BUS II					✓ 10/11/44								✓	
TOTALS THIS PAGE			2		1	2		1	1	3			1	10	11
TOTALS, OVERALL			2		1	2		1	1	3			1	10	11

**STATISTICAL SUMMARY
FATES OF OUR AIRCRAFT – AUSTRALIAN AND NEW GUINEA CAMPAIGN
380TH BOMB GROUP (H)**

**D MODEL REPLACEMENT PLANES ONLY (continued)
INCLUDING OLDER AIRCRAFT**

#	AIRCRAFT	R	C	CA	MA	AM	ASM	A	AS	WWS	RAAF	OG	PI	NT	TOTAL ACFT
50	42-41133 GYPSY					✓ 3/5/44								✓	
51	42-41182 (NONE)								✓ 5/7/44					✓	
52	42-41214 B.T.O.		✓ 1/12/44											✓	
53	42-41219 “SACK TIME”								✓ 1/17/44					✓	
54	42-41222 HELL’S BELLE									✓ 02/45				✓	
55	42-41225 SUNSHINE I		✓ 3/8/44											✓	
56	42-41234 CAREER GIRL					✓ 12/14/43								✓	
57	42-41236 (NONE)					✓ 1/17/44								✓	
58	42-41237 JUGGLIN’ JOSIE								✓ 7/25/44					✓	
59	42-41238 HOMMA HOMMA KID II			✓ 1/8/44										✓	
60	42-41239 BLACK VELVET								✓ 5/2/44					✓	
61	42-41241 (NONE)						✓ 12/26/43							✓	
TOTALS THIS PAGE			2	1		3	1		4	1				12	12
BROUGHT FORWARD			2		1	2		1	1	3			1	10	11
TOTALS, OVERALL			4	1	1	5	1	1	5	4			1	22	23

**STATISTICAL SUMMARY
FATES OF OUR AIRCRAFT – AUSTRALIAN AND NEW GUINEA CAMPAIGN
380TH BOMB GROUP (H)**

**D MODEL REPLACEMENT PLANES ONLY (continued)
INCLUDING OLDER AIRCRAFT**

#	AIRCRAFT	R	C	CA	MA	AM	ASM	A	AS	WWS	RAAF	OG	PI	NT	TOTAL ACFT
62	42-41242 (NONE)					✓ 11/11/43								✓	
63	42-41243 FASCINATING BITCH / BATTLE WEARY									✓ 2/8/45				✓	
64	42-41247 ADELAIDE FEVER									✓ 6/30/44				✓	
65	42-41248 BEBE							✓ 1/17/44						✓	
66	42-41249 POISON IVY									✓ 10/20/44				✓	
67	42-63989 SATAN'S SECRETARY									✓ 02/25/45				✓	
68	42-63991 THE DUCHESS OF PADUCAH											✓ 9/44		✓	
69	42-64045 ATOM SMASHER											✓ 9/44		✓	
70	42-72775 QUACK WAC			✓ 2/9/44										✓	
71	42-72790 SANDRA KAY												✓ 3/45	✓	
72	42-72795 LI'L D'-ICER									✓ 1/29/45				✓	
TOTALS THIS PAGE				1		1		1		5		2	1	11	11
BROUGHT FORWARD			4	1	1	5	1	1	5	4			1	22	23
TOTALS, OVERALL			4	2	1	6	1	2	5	9		2	2	33	34

**STATISTICAL SUMMARY
FATES OF OUR AIRCRAFT – AUSTRALIAN AND NEW GUINEA CAMPAIGN
380TH BOMB GROUP (H)**

**D MODEL REPLACEMENT PLANES ONLY (continued)
INCLUDING OLDER AIRCRAFT**

#	AIRCRAFT	R	C	CA	MA	AM	ASM	A	AS	WWS	RAAF	OG	PI	NT	TOTAL ACFT
73	42-72799 MALE CALL												✓ 3/45	✓	
74	42-72801 BIG ASS BIRD II				✓ 3/19/44									✓	
75	42-72808 “JE REVIENS”									✓ 10/26/44				✓	
76	42-72942 PUSS & BOOTS												✓ 3/45	✓	
77	42-72951 BAIL-OUT BELLE												✓ 3/45	✓	
78	42-72953 JEZEBELLE												✓ 3/45	✓	
TOTALS THIS PAGE					1					1			4	6	6
BROUGHT FORWARD THIS SECTION (ALL REPLACEMENT AIRCRAFT)			4	2	1	6	1	2	5	9		2	2	33	34
BROUGHT FORWARD INITIAL DEPLOYMENT AIRCRAFT		3	8	3			1	3	6	3	4	5	2	7	38
TOTAL REPLACEMENT AIRCRAFT			4	2	2	7	1	2	5	10		2	6	39	40
TOTALS, OVERALL D MODELS		3	12	5	2	6	2	5	11	13	4	7	8	47	78

**STATISTICAL SUMMARY
FATES OF OUR AIRCRAFT – AUSTRALIAN AND NEW GUINEA CAMPAIGN
380TH BOMB GROUP (H)**

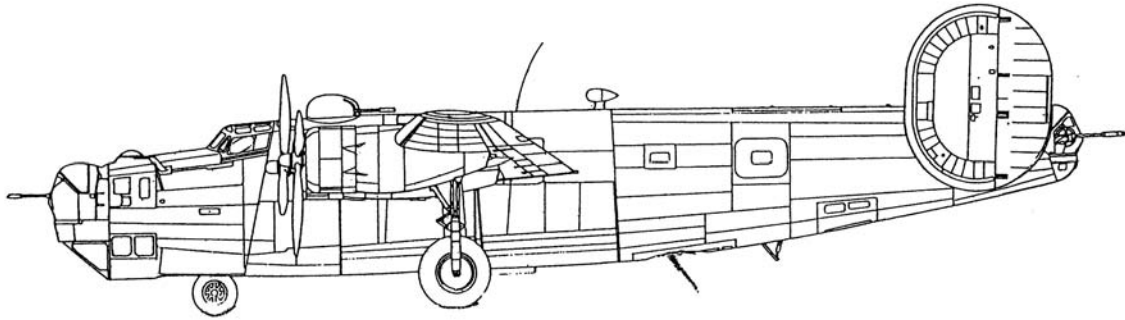
B-24D MODELS ONLY

TYPE	AIRCRAFT GROUP	R	C	CA	MA	AM	ASM	A	AS	WWS	RAAF	OG	PI	NT	TOTAL (By Row)
1 & 2	Initial Deployment	3	8	3			1	3	6	3	4	5	2	7	38
1 & 2 & 3	Early Replacements (Including Older Models)		4	2	2	6	1	2	5	10		2	6	40	40
	Totals – D Models	3	12	5	2	6	2	5	11	13	4	7	8	47	78
	Action Summary	20 Enemy Action			10 Missing – Non Enemy			16 Accidents		13 Salvaged	11 Transferred		8 Retained		78
		30 Combat Losses						29 Non-Combat Losses						59	

Legend:

R	Destruction As Result of Enemy Air Raid
C	Loss of Aircraft in Enemy Territory Due Directly to Enemy Action
CA	Accident and/or Salvage As Result of Enemy Combat Damage (In Friendly Territory)
MA	Loss While on Mission While in Enemy Territory but Direct Enemy Action Not Involved
A	Accident in Friendly Territory Causing Complete Destruction of Aircraft – Not Combat Mission Related
AM	Same as A but Involved in Combat Mission
AS	Accident in Friendly Territory Resulting in Salvage of the Aircraft – Not Combat Mission Related
ASM	Same as AS but Involved in Combat Mission
WWS	Salvage of Aircraft as War Weary
RAAF	Transfer of Aircraft to Royal Australian Air Force
OG	Transfer of Aircraft to Other Groups
PI	Transfer to Philippines Islands for Continuation of War Service There
NT	Whether Nose Turret Installed (Applies Only to Initial Deployment Aircraft) During 1943
RUS	Returned to U.S. at End of War

ARRIVAL OF THE OKLAHOMA NOSES



TYPE 3 – B-24D WITH OKLAHOMA CITY MODIFICATION NOSE

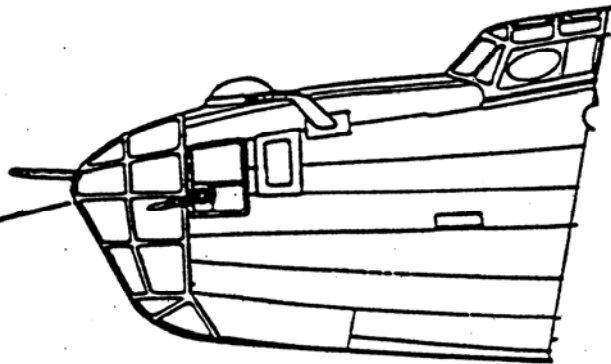
B-24Ds modified at the Oklahoma City Depot at Tinker Field, Oklahoma City, Oklahoma. This also involved modification of the nose window pattern to give more vision area to the bombardier. This required deepening the fuselage at the nose to provide more operation room for personnel working there. Often called “droop snoot.”

There were 67 of these aircraft produced. The 380th Bomb Group received 17 of them.

GUS’S BUS II is a classic example of this type of B-24.

Consolidated/ San Diego B-24D

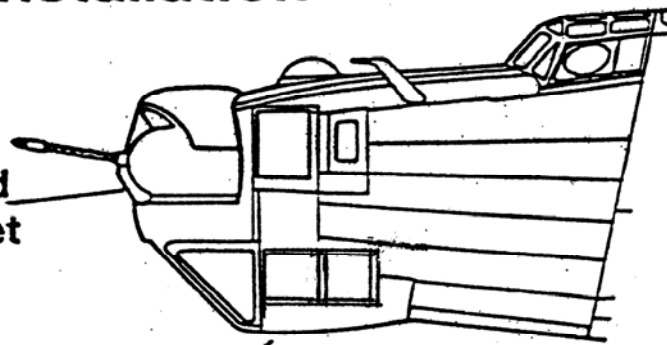
Three Gun
Glazed Nose



Oklahoma City Modification Center Nose Turret Installation

Consolidated
A-6 Tail Turret

Droop Chin



Source: *B-24 Liberator in Action*, Squadron/Signal Publications, Inc., Aircraft Number 80, 1987, pp. 16, 23 (modified).



#125 *Gus's Bus II* nicely illustrating the Oklahoma City modification
Ed Loy Collection



One of the truly dramatic moments in the history of the B-24
Harold Mulhollen is in the process of safely recovering the
out of a flat spin and vertical dive
Lee Briss

Source: Horton, *Best in the Southwest*, p. 124.

Source: Horton, *Best in the Southwest*, p. 467.

NOSE TURRET STYLES IN 380TH B-24D REPLACEMENTS

LIST #	REPLACEMENT #	SN	GIVEN NAME	HAWAII	OKLAHOMA	NONE
1	1	41-24248	ALLEY OOP			None
2	2	42-40351	BIG CHIEF COCKEYE	X		
41	3	42-40683	--	X		
42	4	42-40827	"OLD HICKORY"	X		
43	5	42-40935	QUEER DEER	X		
44	6	42-40967	BLACK WIDOW	X		
45	7	42-40979	"ROBBIE L" II	X		
46	8	42-41071	"MORBID MOE"/"MORBID" MOE	X		
47	9	42-41117	--		X	
48	10	42-41120	SNAFU No. II		X	
49	12	42-41125	GUS'S BUS II		X	
50	13	42-41133	GYPSY		X	
51	14	42-41182	--		X	
52	15	42-41214	B.T.O.	X		
53	16	42-41219	"SACK TIME"		X	
54	17	42-41222	HELL'S BELLE	X		
55	18	42-41225	SUNSHINE I	X		
56	19	42-41234	CAREER GIRL		X	
57	20	42-41236	--		X	
58	21	42-41237	JUGGLIN' JOSIE		X	
59	22	42-41238	HOMMA HOMMA KID II		X	
60	23	42-41239	BLACK VELVET		X	
61	24	41-41241	--		X	
62	25	42-41242	--		X	
63	26	42-41243	BATTLE WEARY		X	
64	27	42-41247	ADELAIDE FEVER		X	
65	28	42-41248	BEBE		X	

NOSE TURRET STYLES IN 380TH B-24D REPLACEMENTS (continued)

LIST #	REPLACE-MENT #	SN	GIVEN NAME	HAWAII	OKLA-HOMA	NONE
66	29	42-41249	POISON IVY	X		
67	30	42-63989	SATAN'S SECRETARY	X		
68	31	42-63991	THE DUCHESS OF PADUCAH	X		
69	32	42-64045	ATOM SMASHER	X		
70	33	42-72775	QUACK WAC	X		
71	34	42-72790	SANDRA KAY	X		
72	35	42-72795	LI'L D'-ICER	X		
73	36	42-72799	MALE CALL	X		
74	37	42-72801	BIG ASS BIRD II	X		
75	38	42-72808	"JE REVIENS"	X		
76	39	42-72942	PUSS & BOOTS	X		
77	40	42-72951	BAIL-OUT BELLE	X		
78	41	42-72952	JEZEBELLE	X		